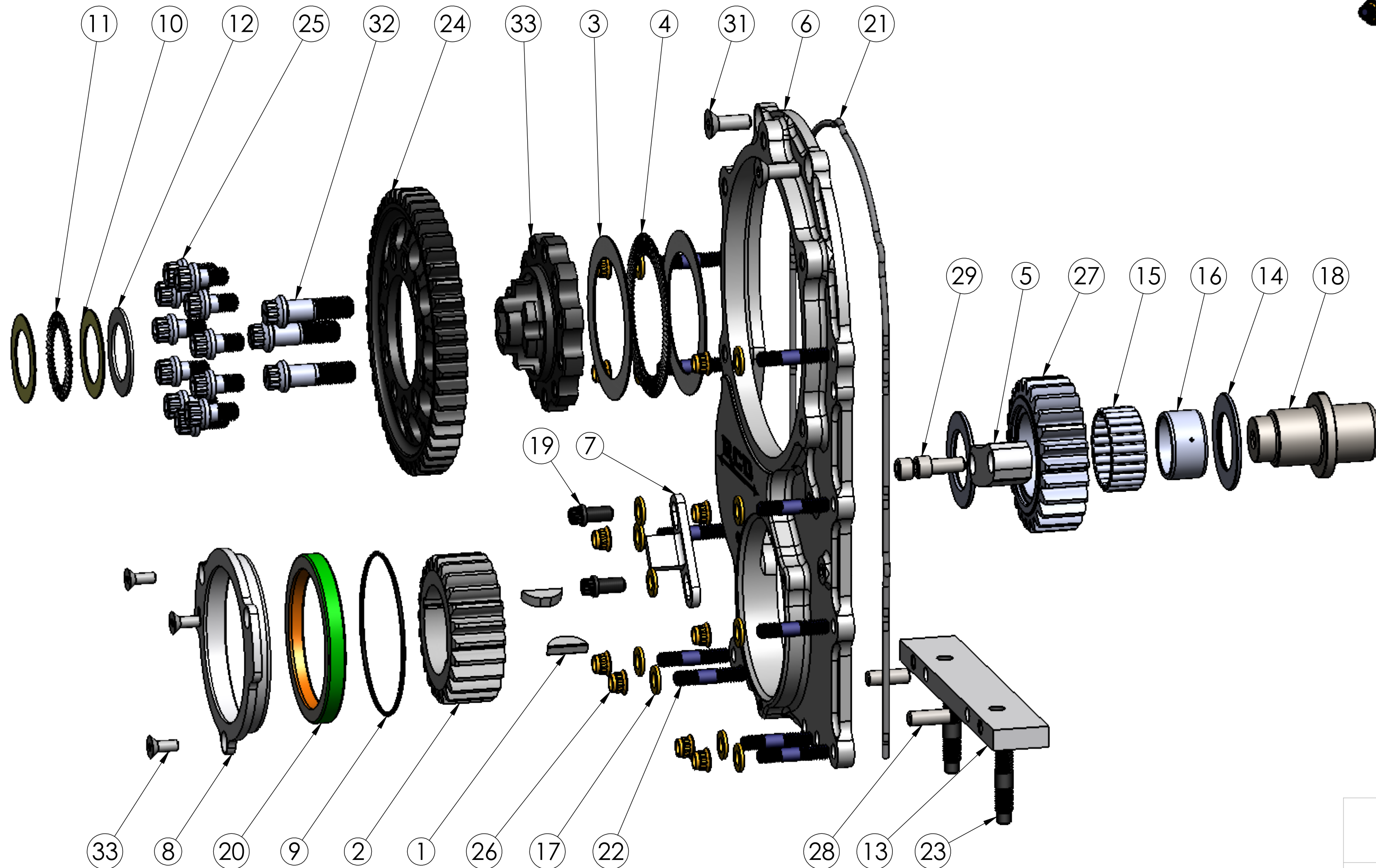
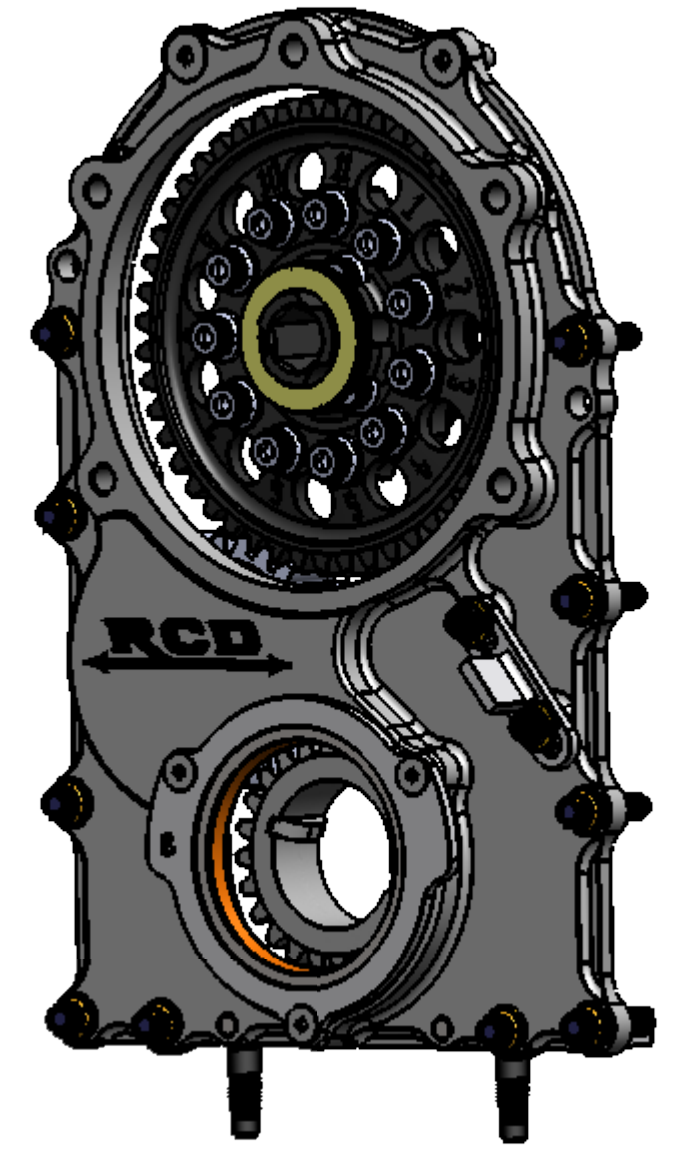


ITEM	PART NO.	DESCRIPTION	QTY.
1	354510-12	CRANK GEAR WOODRUFF KEY CUT DOWN .188 WIDE	2
2	250521-20	CRANK GEAR WIDE 426 392 440 CHRYSLER	1
3	350592-60	TRA-3446 thrust washer	2
4	350590-60	2.125 X 2.875 X 0.078 NEEDLE THRUST BRG	1
5	253516-95	BUMP PAD TFX	1
6	253516-50	GEAR DRIVE COVER TFX	1
7	202022-05	POINTER T STYLE .75 TALL	1
8	250540-03	SEAL HOUSING STD FRONT COVER BBC NITRO CHRY SPLINED SHORT	1
9	351550-39	039 "O" RING 0.07 X 2.75	1
10	350592-36	TRA-1625 THRUST WASHER	2
11	350590-36	1.00 X 1.562 X 0.078 NEEDLE THRUST BRG	1
12	350597-0002	1.00 X 1.562 THRUST SHIM KIT	1
13	253531-01	PAN RAIL TFX	1
14	350501-02	BRG SIDE PLATE 0.99 ID 1.69 OD	2
15	350540-40	30 X 37 X 16 ROLLER BRG CAGE	1
16	350541-40	ROLLER BRG INNER RACE	1
17	352503-04	1/4 AN WASHER	12

ITEM	PART NO.	DESCRIPTION	QTY.
18	253506-08	IDLER GEAR AXLE TFX	1
19	356325-08	1/4-20 X 0.50 12PT	2
20	351515-58	2.328 X 3.00 X 0.395 SEAL NEOPRENE 1 LIP	1
21	351569-15	103 "O" RING ROPE	1
22	353010-20	0.25 X 1.25 STUD 0.5 FINE, 0.5 COARSE	10
23	353014-18	0.312 X 1.125 OILPAN STUD	2
24	250521-60	CAM GEAR 48 TOOTH 10 DP 11 HOLE VERNIER	1
25	357931-08	0.312-24 x 0.55 12pt CAM GEAR BOLT	11
26	355925-10	1/4-28 12 PT NUT	10
27	250521-31	IDLER GEAR STANDARD WIDE 25 TOOTH 10 DP	1
28	353513-12	1/4 X 0.75 DOWEL PIN	2
29	357425-10	SHCS 1/4-20 x .625	2
33	356810-08	FHCS 10-32 x .50	3
31	357125-12	FHCS 1/4-20 X .75 TORX	2
32	357337-19	3/8-24 X 1.22 12PT CAM BOLT	3
33	253526-02	CAM HUB 11 HOLE 426 440 CHRYSLER AND TFX	1




ENGINEERING INCORPORATED
 TEL: 530-292-3133 - FAX: 530-292-3738
 TFX GEAR DRIVE NITRO